



LED POWER SUPPLY DATASHEET

SP24-700ILT

DESCRIPTION

High Cost Performance, SELV. Class II, short circuit, overload protection, lifetime 30,000hrs.



-Input

Items	Conditions	Request	Note
Input voltage	Ta	198-264Vac	--
Input frequency		50Hz/60Hz	--
Input current	25°C, rated input voltage, output with max. rated power	< 0.15A	--
Input power		< 30W	--
Efficiency		≥ 80%	--
Standby		25°C, rated input voltage, output without load	<1W
Inrush current	25°C, rated input voltage	<75A	peak
PF	25°C, rated input voltage, output max. rated power	≥0.95	--

-Output

Items	Conditions	Request	Note
Startup time	voltage, output with max. rated power	<0.5S	--
Output voltage and precision	Ta, rated input voltage, output with rated power	--	--
Output current range	Ta, rated input voltage	--	--
Output voltage wave	voltage, output with max. rated power	--	Vp-p
Output overload	25°C, rated input voltage, output with 2 times LED load	yes	--
Output current and precision	Ta, rated input voltage, output with rated power	700mA±10%	--
Rated output voltage range	Ta, rated input voltage,	17-34V	<48V
Output current wave	voltage, output with max. rated power	70mA	Ip-p
Dimming mode	--	triac	--
Dimming range	--	15%-90%	--

-Temperate and others

Item	Conditions	Request	Note
Operation temp.	--	-20-45°C	--
Relative humidity	--	15%-90%	--
Max. case temp.	--	80°C	<90°C
Lifetime	Max. Ta, rated input voltage, output with max. rated power	30,000hr	--
Working noise	25°C, rated input voltage, output with rated power, mute box background noise <35dB, pickup 10cm distance from products	yes	--

-Mechanical, mounting

Items	Conditions
Case material and size	Plastic, 157x35.3x23.5mm
Mounting ways	Independent
Insulation type	Class II
IP grade	IP20
Input cables dimension	terminal block H03VVH2-F 2x0.75mm ²
Output cables dimension	terminal block H03VVH2-F 2x0.75mm ²
Output cables length	Max 2m

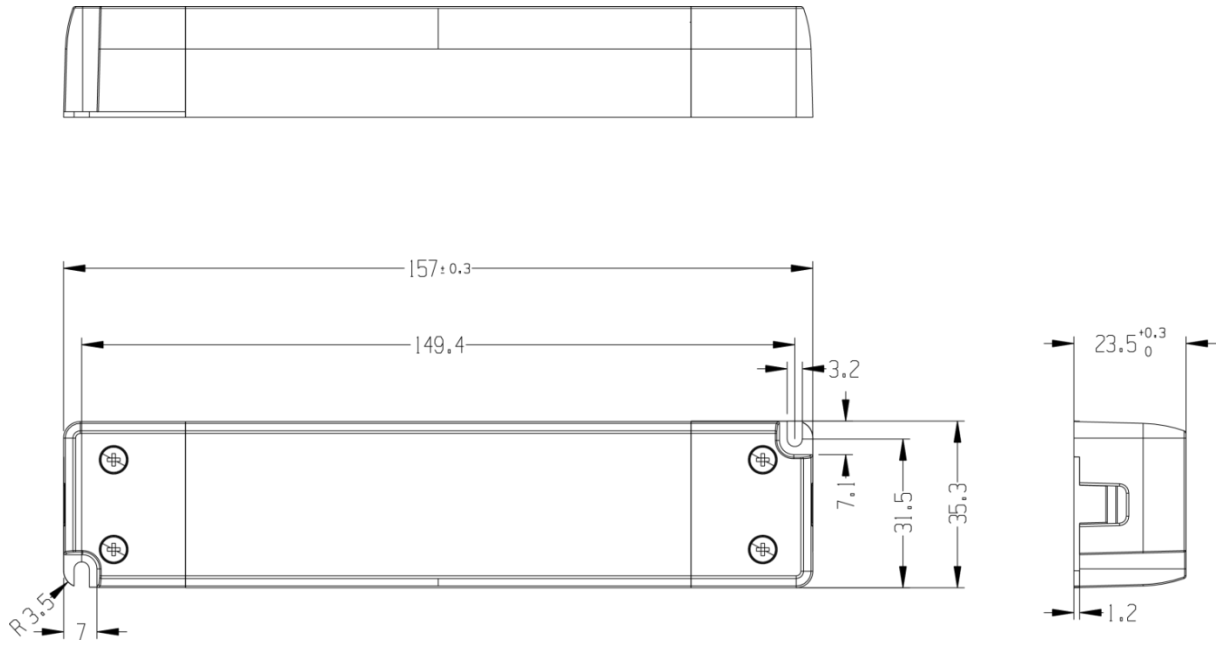
-Protection

Items	Conditions	Request	Note
Open circuit	Ta, rated input voltage, no load	--	--
Over load	Ta, 0.94-1.06 times of input voltage, 1.5 times of rated power	yes	--
Short circuit	Ta, 0.94-1.06 times of input voltage	yes	--
Over temperature	Ta, 0.94-1.06 times of input voltage, temperature detected pointed more than 115 degree	yes	--
Over voltage	Ta, 0.94-1.06 times of input voltage, output voltage is 1.5 times of rated one	--	--
Auto recovery	Over load, short circuit revocation	yes	--
Latch off	Over voltage, over heat re-start after cut off	yes	--

-Standard

Items	Conditions
Safety	IEC61347-1, IEC61347-2-13
Harmonic	EN61000-3-2
EMI	EN55015
EMS	IEC61547

● Dimensions(mm)



● Wiring Diagram

