



LED POWER SUPPLY DATASHEET

SNP50-24VF-1

DESCRIPTION

Super slim LED drivers, helpful for furniture, mirror and cabinet lighting, SELV. Open circuit, short circuit, overload and auto recovery. Class II, lifetime 30,000hrs.



Input

Items	Conditions	Request	Note
Input voltage	Ta	200-240Vac	--
Input frequency		50/60Hz	--
Input current	25°C, rated input voltage, output with max. rated power	<0.3A	--
Input power		<62W	--
Efficiency		≥85%	--
Standby		25°C, rated input voltage, output without load	<0.5W
Inrush current	25°C, rated input voltage	<60A	peak
PF	25°C, rated input voltage, output max. rated power	≥0.90	--

Temperate and others

Item	Conditions	Request	Note
Operation temp.	--	-20-45°C	--
Relative humidity	--	45%-85%	--
Max. case temp.	--	85°C	--
Lifetime	Max. Ta, rated input voltage, output with max. rated power	30,000hr	--
Working noise	25°C, rated input voltage, output with rated power, mute box background noise <35dB, pickup 10cm distance from products	yes	--

Protection

Items	Conditions	Request	Note
Open circuit	Ta, rated input voltage, no load	--	--
Over load	Ta, 0.94-1.06 times of input voltage, 1.5 times of rated power	yes	--
Short circuit	Ta, 0.94-1.06 times of input voltage	yes	--
Over temperature	Ta, 0.94-1.06 times of input voltage, temperature detected point more than 115 degree	yes	--
Over voltage	Ta, 0.94-1.06 times of input voltage, output voltage is 1.5 times of rated one	yes	--
Auto recovery	Over load, short circuit recovation	yes	--
Latch off	Over heat re-start after cut off	yes	--

Output

Items	Conditions	Request	Note
Startup time	25°C, rated input voltage, output with max. rated power	<0.5s	--
Output voltage and precision	Ta, rated input voltage, output with rated power	24V±5%	--
Output current range	Ta, rated input voltage	0-2.08A	--
Output voltage wave	25°C, rated input voltage, output with max. rated power	240mV	Vp-p
Output overload	25°C, rated input voltage, output with 2 times LED load	yes	--
Output current and precision	Ta, rated input voltage, output with rated power	--	--
Rated output voltage range	Ta, rated input voltage,	--	--
Output current wave	25°C, rated input voltage, output with max. rated power	--	Ip-p
Dimming mode	--	--	--
Dimming range	--	--	--

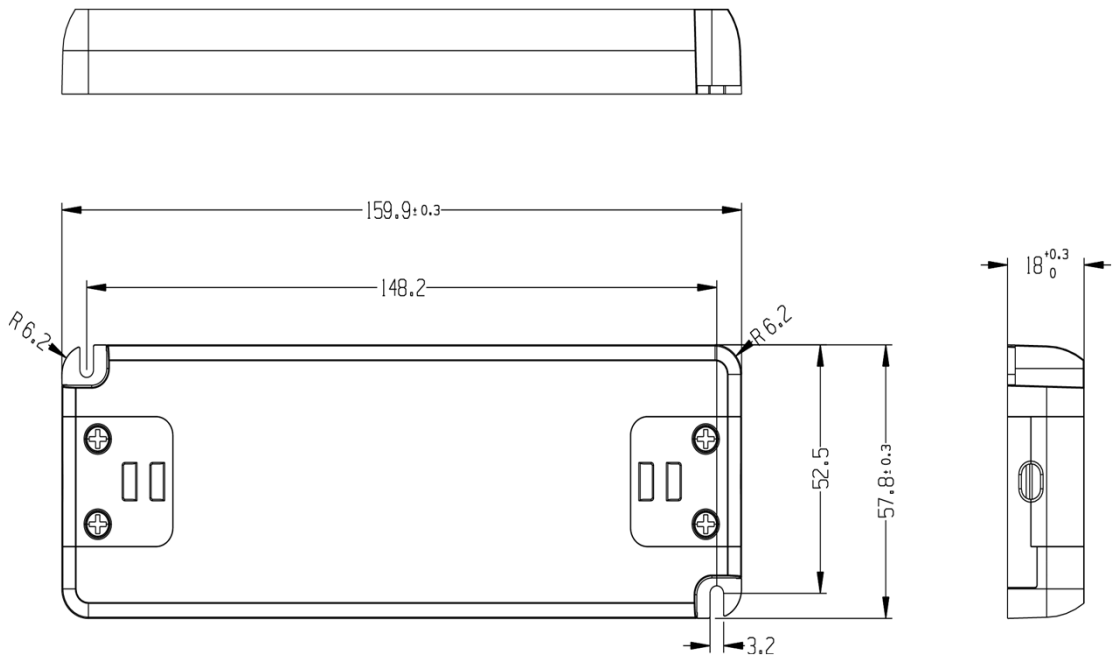
Mechanical, mounting

Items	Conditions
Case material and size	Plastic case 159.9mm x57.8mm x18mm
Mounting ways	Independent
Insulation type	Class II
IP grade	IP20
Input cables dimension	H03VVH2-F 2x0.75mm2
Output cables dimension	H03VVH2-F 2x0.75mm2
Output cables length	Max.2 meters

Standard

Items	Conditions
Safety	IEC61347-1, IEC61347-2-13
Harmonic	IEC61000-3-2
EMI	IEC55015
EMS	IEC61547

● **Dimensions(mm)**



● **Wiring Diagram**

