

LED MOON SPOTS

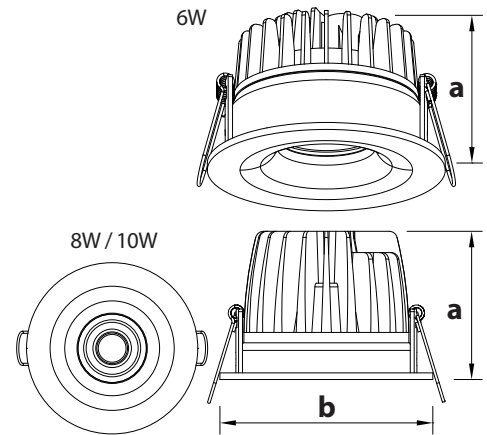


TOTALLUX

MOON Fixed

TLX LED SPOTS

TLX LEDspot Moon Fixed (LED driver on request)



	6W	8W	10W
Dimensions (a, b):	52 mm, Ø80 mm	56 mm, Ø80 mm	56 mm, Ø80 mm
Cutting hole sides:	Ø74 mm	Ø74 mm	Ø74 mm
Forward power:	10 V DC	37 V DC	37 V DC
Current*:	500 mA	200 mA	250 mA
Lumen:	400 lm	550 lm	750 lm

*350 mA available on request

NAMING CHART

Type	Beam Angle	Finishing	KELVIN	Glass
Adjustable	6W 8W/10W	Matt White = 1 Matt Black = 2 Satin Chrome = 3 Silver = 4 Polished Chrome = 5 Custom RAL/NCS = 6	3000K = 1 4000K = 2 5000K = 3 3000K* = 4 2700K = 5 <small>*CRI90</small>	Clear Frosted
6W = TLX6305 8W = TLX6307 10W = TLX6310	20° = 1 36° = 2 60° = 3	24° = 1 36° = 2 60° = 3		

Connectors

Connector Services

TOTALLUX offers pre-assembled IP-rated (IP20/67) connectors not only for the TLX LED Moon Spot series but also within the complete TLX LED program. With the knowledge and detailing of our LED products, we can advise, offer, assemble and deliver the type of connector needed for your project.

We work with brands like Wago, Wieland, Phoenix, Escha, and many others.



Wago



Wieland



Escha

TOTALLUX

Antennestraat 76 • 1322 AS Almere • The Netherlands
+31 (0)36 529 1756 • info@totallux.nl • www.totallux.nl